



# NEW ALIGNMENT SENSOR FOR BUCKET ELEVATORS

## ATEX APPROVED FOR ZONE 20, 21 AND 22

- Designed to detect steel elevator buckets, from the side or the front of elevator leg, steel bolts used to attach non-metallic buckets to the elevator belt, by sensing from the back of the belt.

- Fail Safe. Magnetic sensors unaffected by dust or product build up, continuously monitor the moving elevator, with visual indication by an LED.

- Powerful sensors with 50-100 mm range depending on the size of target, easily adjusted on the sensor itself or from the optional independent control unit.

- Equally suited to elevators with steel or plastic buckets (by using bolt head as target). Can also suit stainless buckets. - Please consult our engineers for more information.

- Link sensors direct to PLC or – for total security - to independent control unit, **A400 Elite**, **B400 Elite** or **Watchdog Elite** itself ATEX approved zone 21 and 22

Detailed specification, wiring diagrams and installation/operating instructions available immediately upon request.



WD3V34AI



**ATEX Approved**  
**Ex II 1D T120°C-IP 65-ZONE 20**



# WDA3

TECHNOLOGY · INNOVATION · QUALITY · VALUE

## SPECIFICATION

Type	WDA3V34AI
Approval	Cable entry Ex II 1D T120°C
Supply	12-24vdc
Supply current	65 mA sous 24vdc
Output current	100mA Maxi
Protection	IP 66
Conduit entry	½"NPT
Detection range ( depend the size of target	50mm-100mm
Cable	6 wires , 3 meters cable
Weight	700g
Detection rate	20-2000/min
Diameters	50 mm
Lenght	150 mm

### CABLE CONNECTIONS

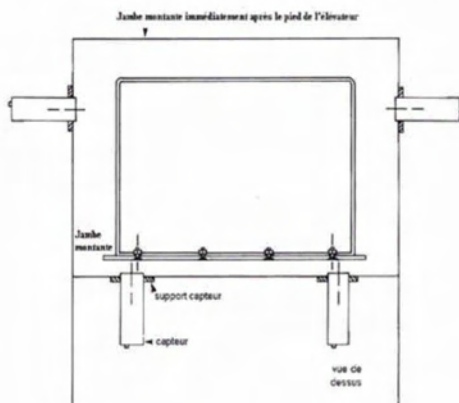
**WARNING :** Supply Max: 27v dc.

- RED** + Ve supply 12-24 Vdc
- BLACK** - Ve supply 0V
- GREEN** Earth (Ground) Connected to case
- YELLOW/ORANGE** Control 0-24Vdc
- BLUE** Pulsed output, normally low/high when detecting
- WHITE** Continuous output, normally high/low when detecting

### WATCHDOG ELITE



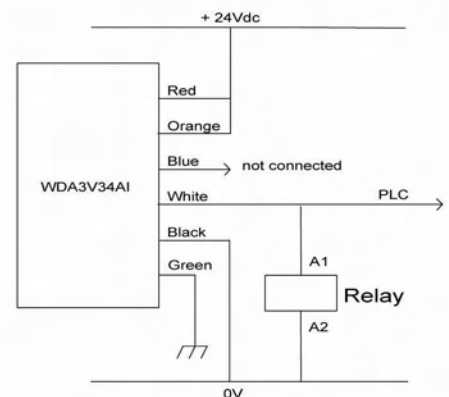
### MOUNTING



### INTERFACE A400 OR B400 ELITE



### Connection diagram directly to PLC/computer or to relay



Please refer to instruction manual for correct installation.  
Information subject to change or correction. February 2006.