



RLI

Rotary Level Indicator

APPLICATION

The RLI is designed to signal the presence or absence of bulk materials such as : chemical products, wood chips, grain, granules and powders. It is ideal for use as a point level indicator in tanks and silos as well as a blockage detector in conveyor chutes.

METHOD OF OPERATION

The detection of the material is achieved by a rotating paddle. If material impedes the rotation of the paddle, the motor topples on its axle and triggers an alarm. In this state, all the mobile parts are stationary. When the level of the material goes down again, the motor returns to its initial position and restarts.

FEATURES

- ▶ Tough corrosion resistant reinforced nylon enclosure
- ▶ Dust tight seals – V-ring seal on stainless steel shaft plus sealed bearings, prevents penetration of dust and moisture
- ▶ Quality swiss motor for trouble-free life
- ▶ 316 acid proof stainless steel shafts and paddles

PADDLE SELECTION

Four alternative stainless steel paddles are available to detect a wide range of products from heavy to light densities.

OPTIONS

- TMP – Top Mounting Plate
- SMP – Side Mounting Plate
- RTS KIT - adjustable level between 0,65 and 2,1 meters



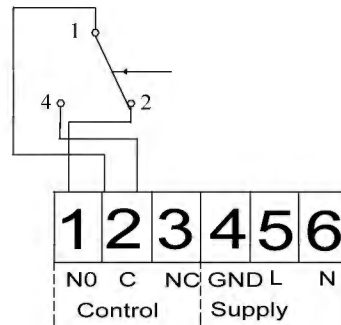
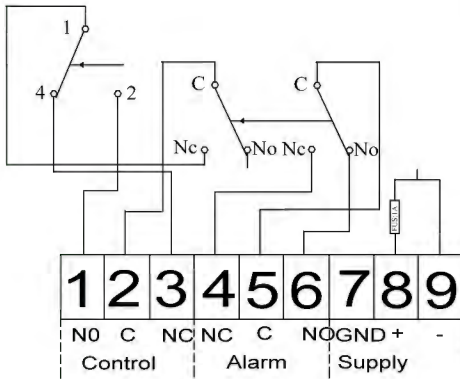
PART NUMBERS / VOLTAGES

RLIB1V1	–	110V AC
RLIB1V1	–	220V AC
RLI1V3FCA	–	12V AC/DC
RLI1V6FCA	–	24-240V AC/DC

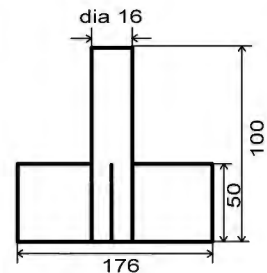
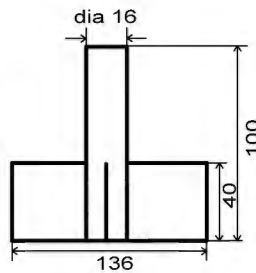
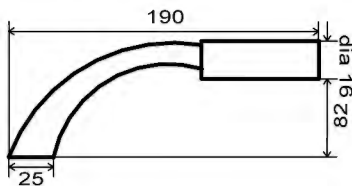
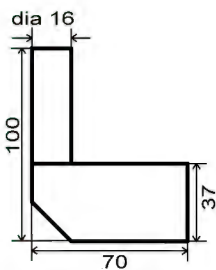


TECHNICAL SPECIFICATIONS		
Type	RLI1V6FCA	RLIB1V1 / RLIB1V2 / RLIB1V5
Supply	24-240 V ac/dc	110 / 220 / 48 V ac
Consumption	1,8 VA	
Ambient Temperature	-35° to + 85°C	
Protection	IP 65	
Enclosure	Flame retardant, glass fibre, reinforced nylon	
Mounting	1¼ NPT	
Conduit entry	2 conduit entries M20	
Motor	1 RPM	
Cable length	min,1 mm2 - max,4 mm2	
Standard length	up to 3,5 m	
Output	1 contact inverseur 5 A 250 V	
Alarm relay	1 contact inverseur 5 A 250 V	No alarm contact
Weight	0,95 Kg	

Connections



RTS KIT



RLIP1	RLIP2	RLIP3	RLIP4
Single vane paddle	Single vane insertable paddle for materials	3 vane paddle for materials	Large 3-vane paddle for materials less
Density higher than 1120 kg/m ²	480 to 1120 kg/m ²	480 to 1120 kg/m ²	than 480 kg/m ²