



NEW ALIGNMENT SENSOR FOR BUCKET ELEVATORS

ATEX APPROVED FOR ZONE 20, 21 AND 22

- **Externally mounted non-contact alignment sensor** reading through a polycarbonate window in the elevator case.
- **Fail Safe.** Magnetic sensor, unaffected by dust or product build up, continuously monitoring the moving target with visual indication by an LED.
- Powerful sensor with 12-50mm sensing range dependant on the size of the target, easily adjusted on the sensor itself or from the optional independent control unit.
- Equally suited to elevators with steel or plastic buckets (by using bolt heads as targets). Can also suit stainless buckets **please consult our engineers for more information.**
- Link sensors direct to PLC or, for total security, to an independent control unit **A400 Elite**, **B400 Elite** or **Watchdog Elite** - **ALL** ATEX approved zone 21 and 22

Detailed specifications, wiring diagrams and installation/operating instructions available immediately upon request.



BAP21V34CA-Cable entry

BAP22V34CA-Conduit entry



ATEX Approved

Ex II 1D T120 C-IP 65-ZONE 20

Ex II 2D T80° C-IP 65-ZONE 21

**NEW
PRODUCT**



SPECIFICATION

Model N°	BAP21V34CA	BAP22V34CA
	Cable entry	Conduit entry
Approval	Ex II 1D T120°C & Ex II 2D T80°C	
Supply	12-24vdc	
Supply current	40-90mA	
Outputs,NPN current sinking with pull up resistor	100mA Maxi	
Protection	IP 65	
Conduit entry	-	½"NPT
Detection range(depend the size of target)	25mm-75mm	
Cable	6 wires , 2 meters cable	
Weight	405g	428g
Detection rate	20-2000/min	
Dimensions	90mm DIA x 35mm	
Fixing centres, M6	51mm x 51mm	

CABLE CONNECTIONS

RED
BLACK
GREEN
YELLOW/ORANGE
BLUE
WHITE

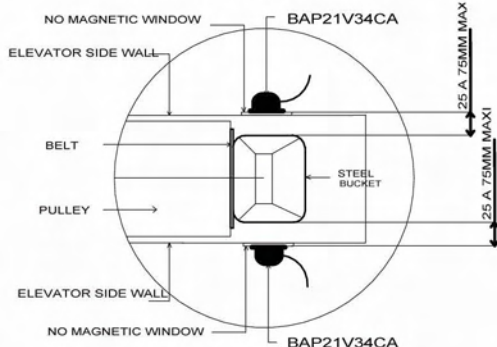
+ Ve supply 12-24 Vdc (**27vDC MAX.**)
 - Ve supply 0V
 Earth (Ground) Connected to case
 Control 0-24Vdc
 Pulsed output, normally low - high when detecting
 Continuous output, normally high - low when detecting

WATCHDOG ELITE



MOUNTING

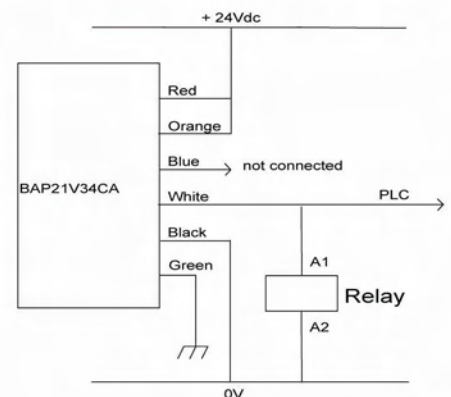
relay



INTERFACE A400 OR B400 ELITE



Connection diagram direct to PLC/computer or to



Please refer to instruction manual for correct installation. Information subject to change or correction. February 2006.