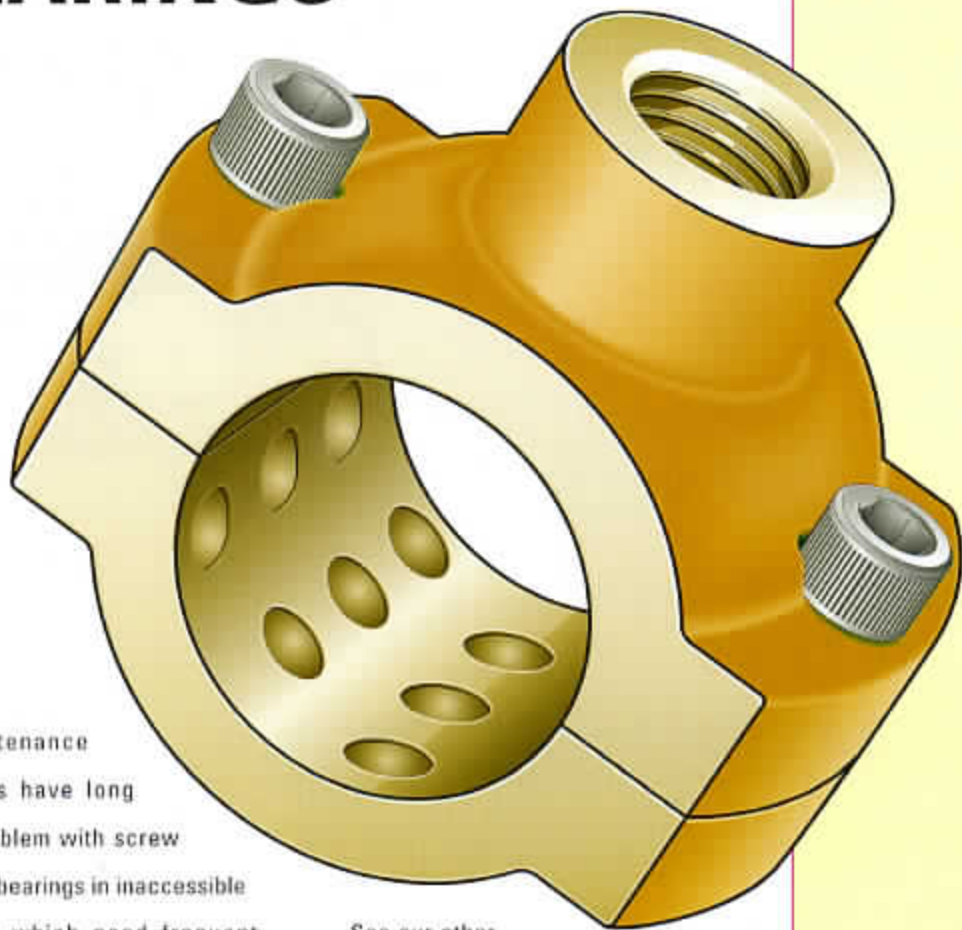


SELF LUBRICATING BEARINGS



Maintenance

Engineers have long had a problem with screw conveyor bearings in inaccessible positions which need frequent lubrication. Dowson Self Lubricating (SLG) Bearings provide an ideal solution.

A solid lubricant is inserted into a conventional plain gun metal bearing in the form of plugs, arranged in a pattern to cover 25-30% of the bearing's surface. The pattern of this patented feature ensures that the entire surface area of the bearing is lubricated.

SLG bearings are maintenance free and will prevent failure due to lack of lubrication.

They are available in metric and imperial sizes, mostly from stock, as are support tubes and nuts.

See our other leaflets for details on our standard gun metal bearings and cast iron bearings with inserts.

Details are also available of our complete screw conveyor component service which enables us to despatch anything from a single spare to components for a complete machine on an off the shelf basis. Fully assembled conveyors utilising standard components can be supplied on a short delivery.

In addition to the above Dowson Handling are experienced in engineering and design enabling us to offer a complete custom built screw conveyor service.

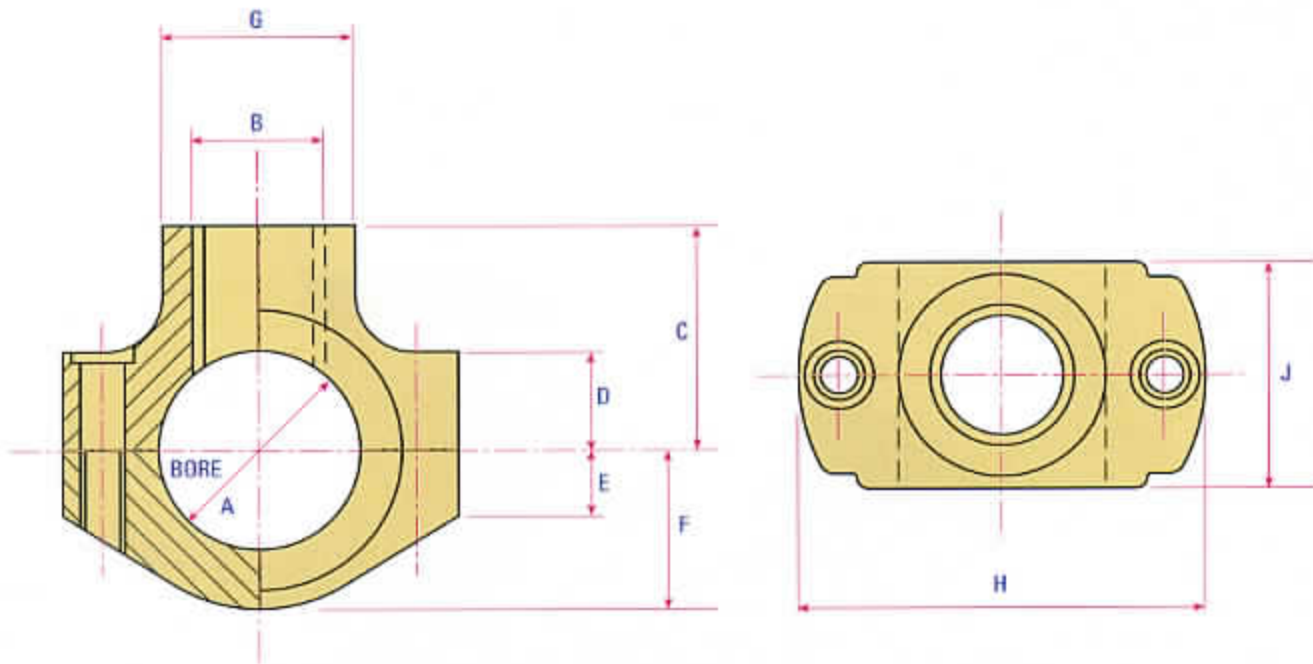


DOWSON
HANDLING

*Forerunners in
strength and reliability*

SELF LUBRICATING GUN METAL

Intermediate Bearing Dimensions



Dimensions are for planning-in purposes. Certified drawings available.

SELF LUBRICATING GUN METAL (METRIC)									
Part No	Bore Thread		C	D	E	F	G	H	J
	A	B							
06M0318/40	40	M24	45	19	19	30	38	75	45
10M0318/50	50	M24	58	19	19	43	40	102	58
10M0318/55	55	M24	58	19	19	43	40	102	58
10M0318/60	60	M24	58	19	19	43	40	102	58
14M0318/65	65	M30	68	20	20	55	50	130	70
18M0318/70	70	M36	85	25	25	55	52	134	83
18M0318/75	75	M36	85	25	25	55	52	134	83
24M0318/90	90	M36	90	25	25	62	60	140	95

DIMENSIONS IN MILLIMETRES

DIMENSIONS IN INCHES

SELF LUBRICATING GUN METAL (IMPERIAL)									
Part No	Bore Thread (Whit)		C	D	E	F	G	H	J
	A	B							
061318	1 1/2"	1"	1 3/4"	3/4"	3/4"	1 1/8"	1 1/2"	3"	1 3/4"
101318	2"	1"	2 1/4"	3/4"	3/4"	1 5/8"	1 5/8"	4"	2 1/4"
141318	2 1/2"	1"	2 5/8"	3/4"	3/4"	1 3/4"	2"	5"	2 3/4"
161318	3"	1 1/4"	3 3/8"	1"	1"	2 1/8"	2"	5 3/8"	3 1/4"

In accordance with our policy of continual improvement of our products, we reserve the right to alter specifications without notice.



DOWSON
HANDLING



ANACONDA BELTING COMPANY

(A Division of Wildex Limited)

Unit 29 Church Road, Sittingbourne, Kent ME10 3RS

Tel: 01474 709784 Fax: 01474 709896

website: www.anacondabelting.co.uk

e-mail: sales@anacondabelting.co.uk